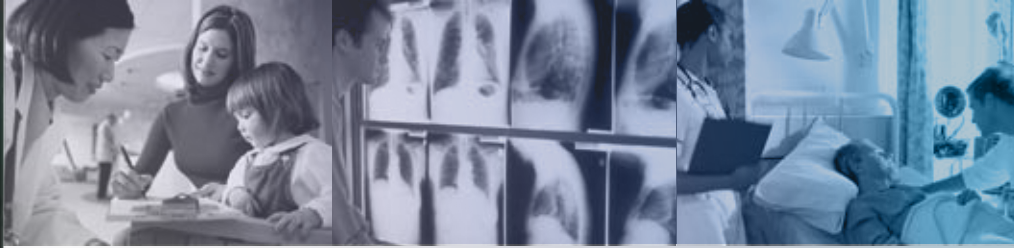


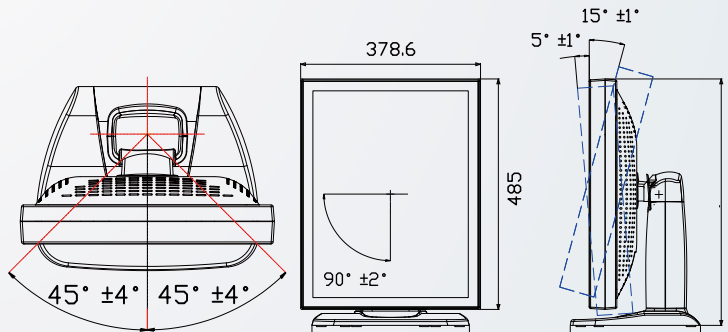
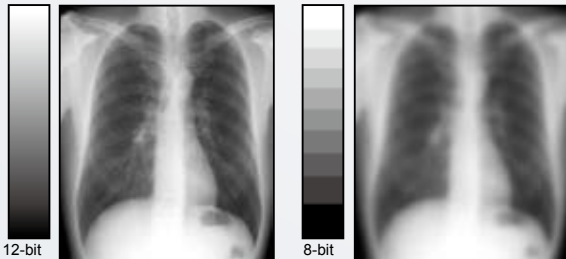
# MMD-5201M **5MP** 51cm(20.1") Diagnostic Grayscale Monitor **12-bit**



- 20.1" grayscale TFT LCD
- 5MP-2560(H) x 2048(V)
- Max. luminance: 850cd/m<sup>2</sup>  
Max. calibrated luminance: 600cd/m<sup>2</sup>
- 600:1 exceptional contrast ratio
- Out-of-box DICOM compliant
- Intelligent display mode auto adjustment with graphic card auto detection
- GrayBoost® 12-bit to 12-bit LUT provides simultaneously 4,096 tones of gray
- Ready for Deep color and HDMI™ 1.3 with GrayEasy® technology for 12-bit grayscale displaying

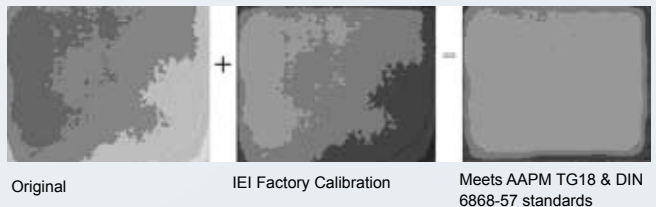
### GrayBoost® 12-bit Simultaneous Grayscale

12-bit (4096 tones) image input can be all retained in 12-bit (4096 tones) image output via built-in 12-bit LUT. The IEI GrayBoost® technology successfully produces 12-bit image data flow through commercial dual-link graphic card, lowering total cost of ownership.



### Uniform Luminance

Uniform luminance is especially critical for diagnostic applications and IEI sets a high standard for the uniformity of every medical monitor. IEI's special testing equipment ensures every customer gets the medical monitors with best uniformity for precise diagnostic results.

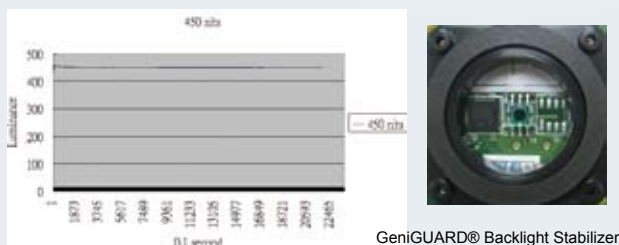


### GrayEasy® HDMI™ 1.3 Grayscale Support

The GrayEasy® technology successfully produces a HDMI™ 1.3 compatible, 12-bit grayscale display system without any additional upgrade cost. The built-in 12-bit to 12-bit Look-Up-Table (LUT) for DICOM calibration ensures the quality of grayscale images.

### Backlight Stabilizer

The GeniGUARD® built-in backlight stabilizer integrated in PACsmate™ monitors automatically calibrates the shift of LCD brightness caused by startup drift, ambient temperature and backlight aging.



### Smart Thermal Control system

IEI PACsmate™ 5MP monochrome displays featuring the smart thermal control system, automatically protect the display from overheating to extend the LCD life. The PACsmate™ series monitors are also equipped with smart alert system to keep users informed when abnormal operations of the monitor are detected.

## Display Mode Auto-Detection

IEI's PACSmate™ medical monitors have built-in auto-detection technology which identifies different graphic cards automatically and self adjusts the mode fit with the specific graphic card.



The above trademarks belong to their respective owners.

## GeniSPOT® & GeniPASS® QC Solution

Packed in every IEI PACSmate™ monitor, the GeniSPOT® 3-in-1 calibration system and GeniPASS® QC Utility ensures the display conforms with AAPM, DIN, JIS and IEC standards all the time.

Functions:

- Auto-dimming for ambient light adjustment
- Luminance and DICOM calibration
- GeniSPOT® self-adjustment



## Ergonomic Design

Narrow bezels enable seamless side-by-side viewing for diagnostic applications.



## Pairing Monitors

IEI provides a pair matching service for dual-head display applications, allowing image comparison for diagnostic practices.



## Graphic Card Compatibility



nVIDIA QUADRO FX560/FX1500  
nVidia GeForce 8600GT



Matrox MED series



RealVision SMD PCI-X series  
RealVision SMD Advance series



ATI V7100/V3400

## Packing List

PACSmate™ Series medical LCD monitor
Monitor stand
Power Cord (US x 1, EU x 1)
DVI-D Signal Cable
USB Cable
GeniSPOT® USB Calibrator
Utility CD-ROM (for user's manual, software utility, and GeniPASS® QC software)

## Ordering information

Part No.	Description
MMD-5201M <b>5MP</b>	5 megapixel, 20.1" monochrome LCD monitor includes GeniSPOT® and GeniPASS® calibration kit

## Specifications

PACSmate® Model	MMD-5201M
Drive System	a-Si TFT active matrix
Display area (H x V)	399.4mm x 319.5 mm
Diagonal size of display	51cm (20.1 inches)
Resolution (H x V)	2560 x 2048
Pixel pitch (H x V)	0.156mm x 0.156 mm
Sub-pixel pitch (H x V)	0.052mm x 0.156 mm
Pixel format	1 pixel consists of 3 sub-pixels, LCR vertical stripe
Luminance-max.	850cd/m <sup>2</sup>
Max. luminance (calibrated)	600cd/m <sup>2</sup>
White chromaticity	Wx, Wy=(0.280, 0.304) (typical)
Contrast ratio	600:1 (typical)
Viewing angle	Right 85°, Left 85°, Up 85°, Down 85° (10:1 contrast)
Response time (Ton + Toff)	30ms (typical)
Polarizer surface/ hardness	Antiglare/ 2H
Backlight	12 CCFL
Default gamma	DICOM
Grayscale	Simultaneous 12-bit
LUT	12-bit
Signal input	Dual link DVI-D (digital)
USB 2.0 hub	1 upstream/ 2 downstream
Membrane keypad	Yes
Power adapter Input voltage range	100VAC - 240VAC
Power adapter Input frequency range	47Hz-63Hz
Power adapter Input AC current	1.25A-0.5A
Power adapter Power output	12VDC, 8.33A, 100W (max)
Physical dimensions (H x W x D)	With stand: 520mm x 380mm x 274 mm (portrait) Without stand: 485mm x 380mm x 100 mm (portrait)
Adjustable height range (with stand)	Portrait: 520mm~590 mm Landscape: 465mm~535 mm
Operating temperature	10°C~40°C
Storage temperature	-20°C~60°C
Operation relative humidity	30% ~75% Non-condensing
Storage/ Transportation Relative humidity	10% ~95% Non-condensing