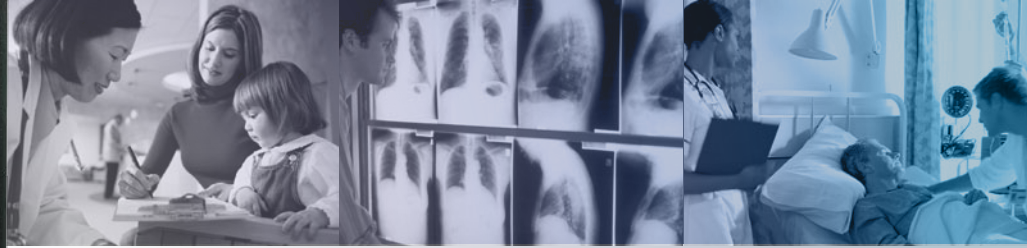


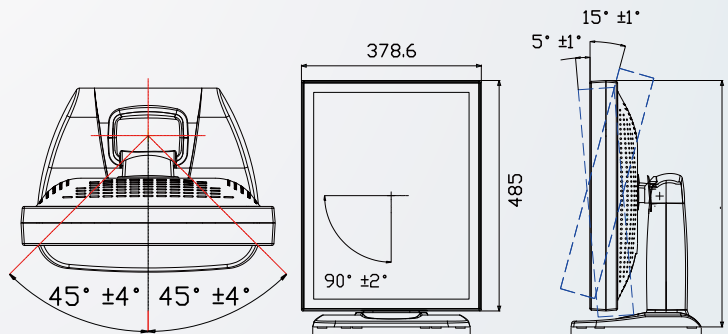
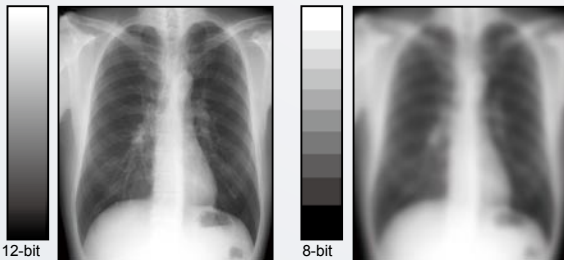
# MMD-2213M <sup>2MP</sup> 54cm(21.3") Diagnostic Grayscale Monitor <sup>12-bit</sup>



- 21.3" grayscale TFT LCD
- 2MP-1600(H) x 1200(V)
- Max. luminance: 1000cd/m<sup>2</sup>  
Max. calibrated luminance: 600cd/m<sup>2</sup>
- 700:1 exceptional contrast ratio
- Out-of-box DICOM compliant
- Intelligent display mode auto adjustment with graphic card auto detection
- GrayBoost® 12-bit to 12-bit LUT provides simultaneously 4,096 tones of gray
- Ready for Deep color and HDMI™ 1.3 with GrayEasy® technology for 12-bit grayscale displaying

## GrayBoost® 12-bit Simultaneous Grayscale

12-bit (4096 tones) image input can be all retained in 12-bit (4096 tones) image output via built-in 12-bit LUT. The IEI GrayBoost® technology successfully produces 12-bit image data flow through commercial dual-link graphic card, lowering total cost of ownership.



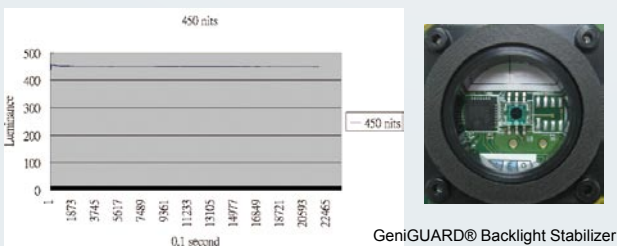
## Uniform Luminance

Uniform luminance is especially critical for diagnostic applications and IEI sets a high standard for the uniformity of every medical monitor. IEI's special testing equipment ensures every customer gets the medical monitors with best uniformity for precise diagnostic results.



## Backlight Stabilizer

The GeniGUARD® built-in backlight stabilizer integrated in PACsmate™ monitors automatically calibrates the shift of LCD brightness caused by startup drift, ambient temperature and backlight aging.



## GrayEasy® HDMI™ 1.3 Grayscale Support

The GrayEasy® technology successfully produces a HDMI™ 1.3 compatible, 12-bit grayscale display system without any additional upgrade cost. The built-in 12-bit to 12-bit Look-Up-Table (LUT) for DICOM calibration ensures the quality of grayscale images.

## Display Mode Auto-Detection

IEI's PACsmate™ medical monitors have built-in auto-detection technology which identifies different graphic cards automatically and self adjusts the mode fit with the specific graphic card.

### Smart Software OSD

The smartOSD is an intelligent and easy to use proprietary On-Screen Display (OSD) software especially designed for the IEI display monitors. It delivers excellent performance and flexibility over hardware OSD solutions in the monitor unit. Users can adjust the monitor with the smartOSD in a Windows® environment from the remote system instead of adjustment from front panel.

The smartOSD allows some functions as below :

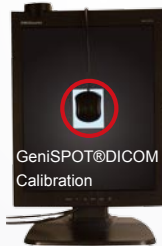
- Power on/off
- Graphic card mode selection
- DICOM Look-Up-Table selection
- Luminance selection
- GrayBoost® on/off
- Monitor Information

### GeniSPOT® & GeniPASS® QC Solution

Packed in every IEI PACSmate™ monitor, the GeniSPOT® 3-in-1 calibration system and GeniPASS® QC Utility ensures the display conforms with AAPM, DIN, JIS and IEC standards all the time.

Functions:

- Luminance testing
- DICOM calibration
- Luminance auto-dimming
- GeniSPOT® self-diagnosis
- Five-point testing of uniformity



### Ergonomic Design

Narrow bezels enable seamless side-by-side viewing for diagnostic applications.



### Pairing Monitors

IEI provides a pair matching service for dual-head display applications, allowing image comparison for diagnostic practices.



### Graphic Card Compatibility



nVIDIA QUADRO FX560/FX1500  
nVidia GeForce 8600GT



Matrox MED series



RealVision SMD PCI-X series  
RealVision SMD ADV series



ATI V7100/V3400

### Specifications

PACSmate® Model	MMD-2213M
Drive System	a-Si TFT active matrix
Display area (H x V)	433.2mm x 324.9 mm
Diagonal size of display	54cm (21.3 inches)
Resolution (H x V)	1600 x 1200
Pixel pitch (H x V)	0.270mm x 0.270 mm
Sub-pixel pitch (H x V)	0.090mm x 0.270 mm
Pixel format	1 pixel consists of 3 sub-pixels, LCR vertical stripe
Luminance-max.	1000cd/m <sup>2</sup>
Max. luminance (calibrated)	600cd/m <sup>2</sup>
White chromaticity	Wx, Wy=(0.280, 0.304) (typical)
Contrast ratio	700:1 (typical)
Viewing angle	Right 85°, Left 85°, Up 85°, Down 85° (10:1 contrast)
Response time (Ton + Toff)	35ms (typical)
Polarizer surface/ hardness	Antiglare/ 2H
Backlight	6 CCFL
Default gamma	DICOM
Grayscale	Simultaneous 12-bit
LUT	12-bit
Signal input	Single link DVI-D (digital)
USB 2.0 hub	1 upstream/ 2 downstream
Membrane keypad	Yes
Power adapter Input voltage range	100VAC - 240VAC
Power adapter Input frequency range	47Hz-63Hz
Power adapter Input AC current	1.25A-0.5A
Power adapter Power output	12VDC, 8.33A, 100W (max)
Physical dimensions (H x W x D)	With stand: 520mm x 380mm x 274 mm (portrait) Without stand: 485mm x 380mm x 100 mm (portrait)
Adjustable height range (with stand)	Portrait: 520mm~590 mm Landscape: 465mm~535 mm
Operating temperature	10°C~40°C
Storage temperature	-20°C~60°C
Operation relative humidity	30% ~75% Non-condensing
Storage/ Transportation Relative humidity	10% ~95% Non-condensing

### Packing List

PACSmate™ Series medical LCD monitor
Monitor stand
Power Cord (US x 1, EU x 1)
Power Adapter
Dual-link DVI-D Signal Cable
USB Cable
GeniSPOT® USB Calibrator
Utility CD-ROM (for user's manual, software utility, and GeniPASS® QC software)

### Ordering information

Part No.	Description
MMD-2213M <b>2MP</b>	2 megapixel, 21.3" monochrome LCD monitor includes GeniSPOT® and GeniPASS® calibration kit



Tel / Fax: (+54)(011)4308-4488 www.Abatech.com.ar/Medical  
(+54)(011)4941-7129 Medical@Abatech.com.ar

Carlos Calvo 2272  
(C1230AAJ) Ciudad Autónoma de Buenos Aires  
**Argentina**

Importa y distribuye para el Conosur Abatech S.A.